

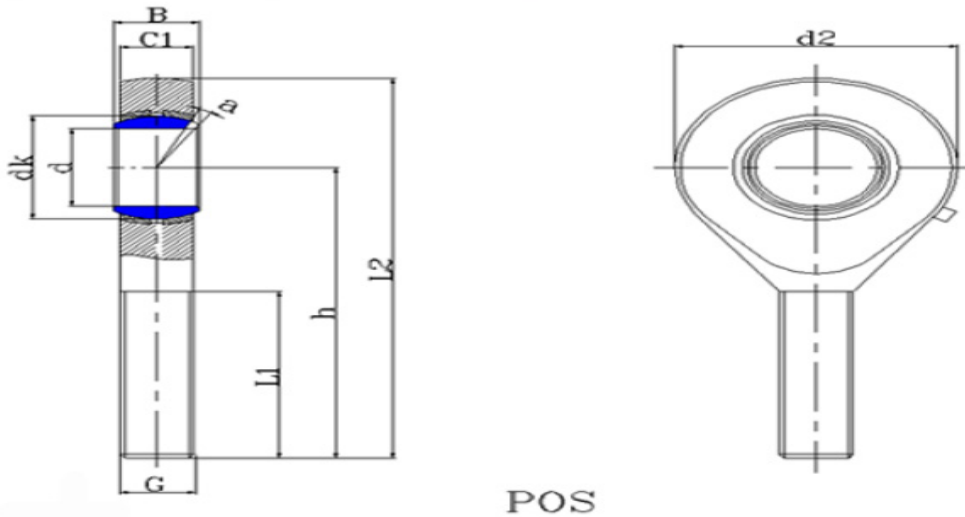
# SDTZ Inlaid Linear Rod Ends with Male Thread

SDTZ Rod Ends are manufactured with a bronze liner on the spherical surface of the outer ring and a chromium liner on the surface of the inner ring.

The surface of the rod body is zinc plated and the housing containing a lubrication hole or grease nipple.

Sliding surfaces are bronze and steel.

All rod ends are available in either left or right hand thread (Add the suffix "L" for left hand thread).



POS

POS Series																	
Bearing Number	Dimensions														Load ratings(KN)		
	d	B	dk	C1	d2	G	h	L3	L4	L5	W	d3	d4	a° ≈	Static		
POS3	3	6	7.93	4.5	14	M3*0.5	27	15	34	14	1.8	3.1	0.008	14	1.8	3.7	0.008
POS4	4	7	9.53	5.3	16	M4*0.7	17	17	38	13	2.5	4.3	0.011	13	2.5	4.6	0.013
POS5	5	8	11.11	6	16	M5*0.8	33	20	41	13	3.3	5.7	0.013	13	3.3	5.7	0.016
POS6	6	9	12.70	6.75	18	M6*1.0	36	22	45	13	4.3	7.2	0.020	13	4.3	7.2	0.022
POS8	8	12	15.88	9	22	M8*1.25	42	25	53	14	7.2	11.6	0.030	14	7.2	11.6	0.047
POS10	10	14	19.05	10.5	26	M10*1.5	48	29	61	13	10.0	14.5	0.055	13	10	14.5	0.077
POS12	12	16	22.23	12	30	M12*1.75	54	33	69	13	13.4	17.0	0.085	13	10	14.5	0.077
POS14	14	19	25.40	13.5	34	M14*2.0	60	36	77	16	17.0	24.0	0.140	13	13.4	17	0.10
POS16	16	21	28.58	15	40	M16*2.0	66	40	86	15	21.6	28.5	0.210	13	13.4	17	0.10
POS18	18	23	31.75	16.5	44	M18*1.5	72	44	94	15	26.0	42.5	0.280	16	17	24	0.16
POS20	20	25	34.93	18	50	M20*1.5	78	47	103	14	31.5	52.5	0.380	16	17	24	0.16
POS22	22	28	38.10	20	54	M22*1.5	84	51	111	15	38.0	57.0	0.480	15	21.6	28.5	0.22
POS25	25	31	42.85	22	60	M24*2.0	94	57	124	15	47.5	68.0	0.640	15	21.6	28.5	0.22
POS28	28	35	47.60	24	66	M27*2.0	103	62	136	15	58.0	75.5	0.960	15	26	42.5	0.32
POS30	30	37	50.80	25	70	M30*2.0	110	66	145	17	64.0	88.0	1.100	14	31.5	42.5	0.42

# Inlaid Linear Rod Ends with Male Thread

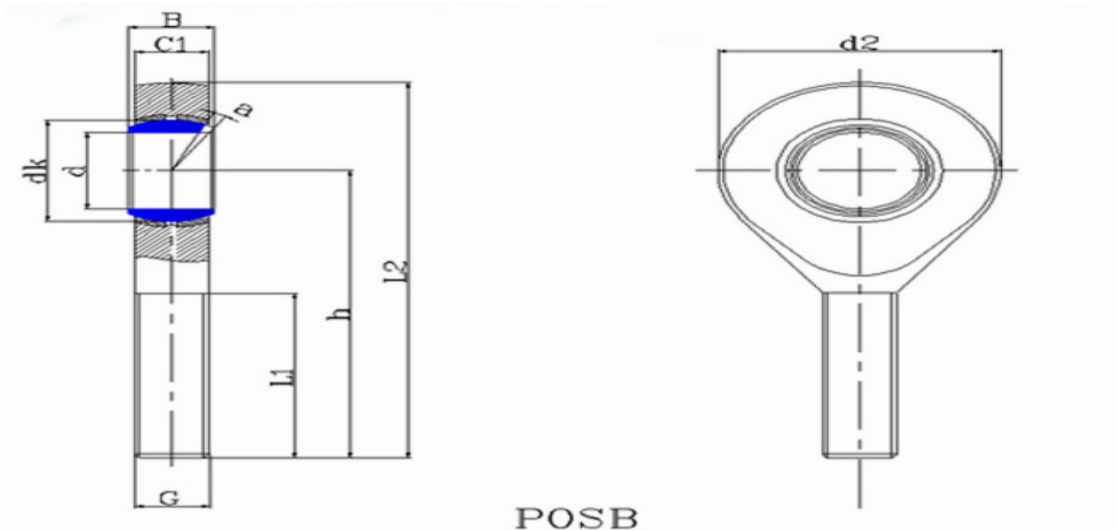


SDTZ Rod Ends are manufactured with a bronze liner on the spherical surface of the outer ring and a chromium liner on the surface of the inner ring.

The surface of the rod body is zinc plated and the housing containing a lubrication hole or grease nipple.

Sliding surfaces are bronze and steel.

All rod ends are available in either left or right hand thread (Add the suffix "L" for left hand thread).



POSB

POSB Series

Bearing Number	Dimensions														Load ratings(KN)		Weight (kg)
	d	B	dk	C1	d2	G	h	L3	L4	L5	W	d3	d4	a°	Dynamic	Static	
POSB3	4.826	7.93	11.10	6.35	15.88	10-32	26.97	19.05	39.70	10	3.4	3.8	0.013	10	3.4	4.6	0.015
POSB4	6.350	9.53	12.70	7.14	19.05	1/4-28	33.32	25.40	49.20	13	4.5	6.6	0.022	13	4.5	7.7	0.025
POSB5	7.938	11.10	15.88	8.74	22.23	5/16-24	34.93	31.75	58.72	10	6.9	8.4	0.037	10	6.9	8.4	0.036
POSB6	9.525	12.70	18.26	10.31	25.40	3/8-24	41.28	31.75	61.93	9	9.4	10	0.055	9	9.4	10	0.061
POSB7	11.113	14.28	20.62	11.10	28.58	7/16-20	46.02	34.93	68.28	11	11	13	0.078	11	11	13	0.081
POSB8	12.700	15.88	23.81	12.70	33.32	1/2-20	53.98	38.10	78.59	9	15	19	0.12	9	15	19	0.133
POSB10	15.875	19.05	28.58	14.27	38.10	5/8-18	63.50	41.28	85.73	11	20	21	0.18	11	20	21	0.190
POSB12	19.050	22.23	33.32	17.45	44.45	3/4-16	73.03	44.45	95.25	10	29	29	0.29	10	29	29	0.285
POSB16	25.400	34.93	47.63	25.40	69.85	5/4-12	104.78	53.98	139.70	14	60	101	1.1	14	60	101	1.000